



# HEAVY-DUTYCASTER.COM



[PHIL@HEAVY-DUTYCASTER.COM](mailto:PHIL@HEAVY-DUTYCASTER.COM)

336-362-1639

<https://www.heavy-dutycaster.com/>

## Extreme Heavy-Duty Dual Wheel Casters

Phil Strouth or Ty Strouth

Code 19 Top Plate	4.5"x6.25" Overall Size	D1/R1 DUAL WHEEL KINGPINLESS SERIES Uses 2" wide Dual Wheels	800 – 6,000#	See below	See Below	Ohio, Texas
Part#	Swivel / Rigid	Wheel Size (Diameter x Tread Width), Wheel Material, Bearings, Color	Capacit y	Overall Height	Price Each	Shipping Locations
D1PH50JB0419YY	Swivel	5" x 2" x 2 Phenolic w/ Straight Roller Bearing; Black	2,000#	7-1/2"	\$198.00	Ohio, Texas
R1PH50JB0419YY	Rigid	5" x 2" Phenolic w/ Straight Roller Bearings; Black	2,000#	7-1/2"	\$140.00	Ohio, Texas
D1PU50JG0419YY	Swivel	5" x 2" x 2 Polyurethane on Cast Iron w/ Straight Roller Bearing; Green on Black	2,200#	7-1/2"	\$208.00	Ohio, Texas
R1PU50JG0419YY	Rigid	5" x 2" x 2 Polyurethane on Cast Iron w/ Straight Roller Bearing; Green on Black	2,200#	7-1/2"	\$150.00	Ohio, Texas
D1SW50JU0419YY	Swivel	5" x 2" x 2 Polyurethane on Cast Iron Crowned w/ Roller Bearing; Blue on Black	2,600#	7-1/2"	\$219.00	Ohio, Texas
R1SW50JU0419YY	Rigid	5" x 2" x 2 Polyurethane on Cast Iron Crowned w/ Roller Bearing; Blue on Black	2,600#	7-1/2"	\$162.00	Ohio, Texas
D1HU50JI6319YY	Swivel	5" x 2" x 2 Solid Elastomer w/ Precision Ball Bearings; Solid Grey	2,800#	7-1/2"	\$230.00	Ohio, Texas
R1HU50JI6319YY	Rigid	5" x 2" x 2 Solid Elastomer w/ Precision Ball Bearings; Solid Grey	2,800#	7-1/2"	\$172.00	Ohio, Texas
D1SS50JS0419YY	Swivel	5" x 2" x 2 Cast Iron w/ Straight Roller Bearing; Silver	2,000#	7-1/2"	\$205.00	Ohio, Texas
R1SS50JS0419YY	Rigid	5" x 2" x 2 Cast Iron w/ Straight Roller Bearing; Silver	2,000#	7-1/2"	\$148.00	Ohio, Texas
D1DS50JR0419YY	Swivel	5" x 2" x 2 Ductile Steel Flat or Crowned w/ Straight Roller Bearing; Red	3,000#	7-1/2"	\$227.00	Ohio, Texas
R1DS50JR0419YY	Rigid	5" x 2" x 2 Ductile Steel Flat or Crowned w/ Straight Roller Bearing; Red	3,000#	7-1/2"	\$169.00	Ohio, Texas
D1PH60JB0419YY	Swivel	6" x 2" x 2 Phenolic w/ Straight Roller Bearing; Black	2,400#	8"	\$205.00	Ohio, Texas
R1PH60JB0419YY	Rigid	6" x 2" Phenolic w/ Straight Roller Bearings; Black	2,400#	8"	\$150.00	Ohio, Texas
D1PU60JG0419YY	Swivel	6" x 2" x 2 Polyurethane on Cast Iron w/ Straight Roller Bearing; Green on Black	2,400#	8"	\$220.00	Ohio, Texas
R1PU60JG0419YY	Rigid	6" x 2" x 2 Polyurethane on Cast Iron w/ Straight Roller Bearing; Green on Black	2,400#	8"	\$165.00	Ohio, Texas
D1SW60JU0419YY	Swivel	6" x 2" x 2 Polyurethane on Cast Iron Crowned w/ Roller Bearing; Blue on Black	2,800#	8"	\$225.00	Ohio, Texas
R1SW60JU0419YY	Rigid	6" x 2" x 2 Polyurethane on Cast Iron Crowned w/ Roller Bearing; Blue on Black	2,800#	8"	\$170.00	Ohio, Texas
D1HU60JI6319YY	Swivel	6" x 2" x 2 Solid Elastomer w/ Precision Ball Bearings; Solid Grey	3,400#	8"	\$300.00	Ohio, Texas
R1HU60JI6319YY	Rigid	6" x 2" x 2 Solid Elastomer w/ Precision Ball Bearings; Solid Grey	3,400#	8"	\$195.00	Ohio, Texas

D1SS60JS0419YY	Swivel	6" x 2" x 2 Cast Iron w/ Straight Roller Bearing; Silver	2,400#	8"	\$215.00	Ohio, Texas
R1SS60JS0419YY	Rigid	6" x 2" x 2 Cast Iron w/ Straight Roller Bearing; Silver	2,400#	8"	\$155.00	Ohio, Texas
D1DS60JR0419YY	Swivel	6" x 2" x 2 Ductile Steel Flat or Crowned w/ Straight Roller Bearing; Red	4,000#	8"	\$245.00	Ohio, Texas
R1DS60JR0419YY	Rigid	6" x 2" x 2 Ductile Steel Flat or Crowned w/ Straight Roller Bearing; Red	4,000#	8"	\$190.00	Ohio, Texas
D1FS60JS7319YY	Swivel	6" x 2" x 2 Forged Steel Flat w/ Tapered Roller Bearing; Silver/Black	5,000#	8"	\$364.00	Ohio, Texas
R1FS60JS7319YY	Rigid	6" x 2" x 2 Forged Steel Flat w/ Tapered Roller Bearing; Silver/Black	5,000#	8"	\$311.00	Ohio, Texas
D1PH80JB0419YY	Swivel	8" x 2" x 2 Phenolic w/ Straight Roller Bearing; Black	2,800#	10-1/8"	\$230.00	Ohio, Texas
R1PH80JB0419YY	Rigid	8" x 2" Phenolic w/ Straight Roller Bearings; Black	2,800#	10-1/8"	\$163.00	Ohio, Texas
D1PU80JG0419YY	Swivel	8" x 2" x 2 Polyurethane on Cast Iron w/ Straight Roller Bearing; Green on Black	2,800#	10-1/8"	\$245.00	Ohio, Texas
R1PU80JG0419YY	Rigid	8" x 2" x 2 Polyurethane on Cast Iron w/ Straight Roller Bearing; Green on Black	2,800#	10-1/8"	\$178.00	Ohio, Texas
D1SW80JU0419YY	Swivel	8" x 2" x 2 Polyurethane on Cast Iron Crowned w/ Roller Bearing; Blue on Black	3,000#	10-1/8"	\$253.00	Ohio, Texas
R1SW80JU0419YY	Rigid	8" x 2" x 2 Polyurethane on Cast Iron Crowned w/ Roller Bearing; Blue on Black	3,000#	10-1/8"	\$187.00	Ohio, Texas
D1HU80JI6319YY	Swivel	8" x 2" x 2 Solid Elastomer w/ Precision Ball Bearings; Solid Grey	4,000#	10-1/8"	\$320.00	Ohio, Texas
R1HU80JI6319YY	Rigid	8" x 2" x 2 Solid Elastomer w/ Precision Ball Bearings; Solid Grey	4,000#	10-1/8"	\$245.00	Ohio, Texas
D1SS80JS0419YY	Swivel	8" x 2" x 2 Cast Iron w/ Straight Roller Bearing; Silver	2,800#	10-1/8"	\$235.00	Ohio, Texas
R1SS80JS0419YY	Rigid	8" x 2" x 2 Cast Iron w/ Straight Roller Bearing; Silver	2,800#	10-1/8"	\$170.00	Ohio, Texas
D1DS80JR0419YY	Swivel	8" x 2" x 2 Ductile Steel Flat or Crowned w/ Straight Roller Bearing; Red	4,000#	10-1/8"	\$275.00	Ohio, Texas
R1DS80JR0419YY	Rigid	8" x 2" x 2 Ductile Steel Flat or Crowned w/ Straight Roller Bearing; Red	4,000#	10-1/8"	\$210.00	Ohio, Texas
D1FS80JS7319YY	Swivel	8" x 2" x 2 Forged Steel Flat w/ Tapered Roller Bearing; Silver/Black	6,000#	10-1/8"	\$448.00	Ohio, Texas
R1FS80JS7319YY	Rigid	8" x 2" x 2 Forged Steel Flat w/ Tapered Roller Bearing; Silver/Black	6,000#	10-1/8"	\$385.00	Ohio, Texas
<b>Code 25 Top Plate</b>	<b>5.25"x7.25" Overall Size</b>	<b>D2/R2 DUAL WHEEL KINGPINLESS SERIES Uses 3" wide Dual Wheels</b>	<b>4,000 – 12,000#</b>	<b>See below</b>	<b>See Below</b>	<b>Ohio, Texas</b>
<b>Part#</b>	<b>Swivel / Rigid</b>	<b>Wheel Size (Diameter x Tread Width), Wheel Material, Bearings, Color</b>	<b>Capacity</b>	<b>Overall Height</b>	<b>Price Each</b>	<b>Shipping Locations</b>
D2PH60LB2425YY	Swivel	6" x 3" x 2 Phenolic w/ Straight Roller Bearing; Black	4,000#	8-1/16"	\$305.00	Ohio, Texas
R2PH60LB2425YY	Rigid	6" x 3" Phenolic w/ Straight Roller Bearings; Black	4,000#	8-1/16"	\$220.00	Ohio, Texas
D2PU60LG2425YY	Swivel	6" x 3" x 2 Polyurethane on Cast Iron w/ Straight Roller Bearing; Green on Black	4,000#	8-1/16"	\$312.00	Ohio, Texas
R2PU60LG2425YY	Rigid	6" x 3" x 2 Polyurethane on Cast Iron w/ Straight Roller Bearing; Green on Black	4,000#	8-1/16"	\$228.00	Ohio, Texas
D2SW60LU2425YY	Swivel	6" x 3" x 2 Polyurethane on Cast Iron Crowned w/ Roller Bearing; Blue on Black	4,400#	8-1/16"	\$315.00	Ohio, Texas
R2SW60LU2425YY	Rigid	6" x 3" x 2 Polyurethane on Cast Iron Crowned w/ Roller Bearing; Blue on Black	4,400#	8-1/16"	\$230.00	Ohio, Texas

D2HU60KI6525YY	Swivel	6" x 3" x 2 Solid Elastomer w/ Precision Ball Bearings; Solid Grey	4,600#	8-1/16"	\$374.00	Ohio, Texas
R2HU60KI6525YY	Rigid	6" x 3" x 2 Solid Elastomer w/ Precision Ball Bearings; Solid Grey	4,600#	8-1/16"	\$250.00	Ohio, Texas
D2SS60LS2425YY	Swivel	6" x 3" x 2 Cast Iron w/ Straight Roller Bearing; Silver	5,000#	8-1/16"	\$302.00	Ohio, Texas
R2SS60LS2425YY	Rigid	6" x 3" x 2 Cast Iron w/ Straight Roller Bearing; Silver	5,000#	8-1/16"	\$220.00	Ohio, Texas
D2DS60LR2425YY	Swivel	6" x 3" x 2 Ductile Steel Flat or Crowned w/ Straight Roller Bearing; Red	7,000#	8-1/16"	\$366.00	Ohio, Texas
R2DS60LR2425YY	Rigid	6" x 3" x 2 Ductile Steel Flat or Crowned w/ Straight Roller Bearing; Red	7,000#	8-1/16"	\$282.00	Ohio, Texas
D2FS60LS7925YY	Swivel	6" x 3" x 2 Forged Steel Flat w/ Tapered Roller Bearing; Silver/Black	7,000#	8-1/16"	\$496.00	Ohio, Texas
R2FS60LS7925YY	Rigid	6" x 3" x 2 Forged Steel Flat w/ Tapered Roller Bearing; Silver/Black	7,000#	8-1/16"	\$420.00	Ohio, Texas
D2PH80LB2425YY	Swivel	8" x 3" x 2 Phenolic w/ Straight Roller Bearing; Black	5,000#	10-1/2"	\$335.00	Ohio, Texas
R2PH80LB2425YY	Rigid	8" x 3" Phenolic w/ Straight Roller Bearings; Black	5,000#	10-1/2"	\$237.00	Ohio, Texas
D2PU80LG2425YY	Swivel	8" x 3" x 2 Polyurethane on Cast Iron w/ Straight Roller Bearing; Green on Black	5,000#	10-1/2"	\$347.00	Ohio, Texas
R2PU80LG2425YY	Rigid	8" x 3" x 2 Polyurethane on Cast Iron w/ Straight Roller Bearing; Green on Black	5,000#	10-1/2"	\$250.00	Ohio, Texas
D2SW80LU2425YY	Swivel	8" x 3" x 2 Polyurethane on Cast Iron Crowned w/ Roller Bearing; Blue on Black	5,400#	10-1/2"	\$360.00	Ohio, Texas
R2SW80LU2425YY	Rigid	8" x 3" x 2 Polyurethane on Cast Iron Crowned w/ Roller Bearing; Blue on Black	5,400#	10-1/2"	\$262.00	Ohio, Texas
D2HU80LI6525YY	Swivel	8" x 3" x 2 Solid Elastomer w/ Precision Ball Bearings; Solid Grey	6,000#	10-1/2"	\$465.00	Ohio, Texas
R2HU80LI6525YY	Rigid	8" x 3" x 2 Solid Elastomer w/ Precision Ball Bearings; Solid Grey	6,000#	10-1/2"	\$370.00	Ohio, Texas
D2SS80LS2425YY	Swivel	8" x 3" x 2 Cast Iron w/ Straight Roller Bearing; Silver	5,000#	10-1/2"	\$337.00	Ohio, Texas
R2SS80LS2425YY	Rigid	8" x 3" x 2 Cast Iron w/ Straight Roller Bearing; Silver	5,000#	10-1/2"	\$240.00	Ohio, Texas
D2DS80LR2425YY	Swivel	8" x 3" x 2 Ductile Steel Flat or Crowned w/ Straight Roller Bearing; Red	7,000#	10-1/2"	\$437.00	Ohio, Texas
R2DS80LR2425YY	Rigid	8" x 3" x 2 Ductile Steel Flat or Crowned w/ Straight Roller Bearing; Red	7,000#	10-1/2"	\$330.00	Ohio, Texas
D2FS80LS7925YY	Swivel	8" x 3" x 2 Forged Steel Flat w/ Tapered Roller Bearing; Silver/Black	7,000#	10-1/2"	\$478.00	Ohio, Texas
R2FS80LS7975YY	Rigid	8" x 3" x 2 Forged Steel Flat w/ Tapered Roller Bearing; Silver/Black	7,000#	10-1/2"	\$410.00	Ohio, Texas
D2PH10LB2425YY	Swivel	10" x 3" x 2 Phenolic w/ Straight Roller Bearing; Black	5,800#	12-1/2"	\$373.00	Ohio, Texas
R2PH10LB2425YY	Rigid	10" x 3" Phenolic w/ Straight Roller Bearings; Black	5,800#	12-1/2"	\$237.00	Ohio, Texas
D2PU10LG2425YY	Swivel	10" x 3" x 2 Polyurethane on Cast Iron w/ Straight Roller Bearing; Green on Black	6,000#	12-1/2"	\$395.00	Ohio, Texas
R2PU10LG2425YY	Rigid	10" x 3" x 2 Polyurethane on Cast Iron w/ Straight Roller Bearing; Green on Black	6,000#	12-1/2"	\$285.00	Ohio, Texas
D2SW10LU2425YY	Swivel	10" x 3" x 2 Polyurethane on Cast Iron Crowned w/ Roller Bearing; Blue on Black	6,000#	12-1/2"	\$421.00	Ohio, Texas
R2SW10LU2425YY	Rigid	10" x 3" x 2 Polyurethane on Cast Iron Crowned w/ Roller Bearing; Blue on Black	6,000#	12-1/2"	\$302.00	Ohio, Texas

D2HU10LI6525YY	Swivel	10" x 3" x 2 Solid Elastomer w/ Precision Ball Bearings; Solid Grey	6,400#	12-1/2"	\$575.00	Ohio, Texas
R2HU10LI6525YY	Rigid	10" x 3" x 2 Solid Elastomer w/ Precision Ball Bearings; Solid Grey	6,400#	12-1/2"	\$480.00	Ohio, Texas
D2SS10LS2425YY	Swivel	10" x 3" x 2 Cast Iron w/ Straight Roller Bearing; Silver	5,000#	12-1/2"	\$398.00	Ohio, Texas
R2SS10LS2425YY	Rigid	10" x 3" x 2 Cast Iron w/ Straight Roller Bearing; Silver	5,000#	12-1/2"	\$286.00	Ohio, Texas
D2DS10LR2425YY	Swivel	10" x 3" x 2 Ductile Steel Flat or Crowned w/ Straight Roller Bearing; Red	7,000#	12-1/2"	\$470.00	Ohio, Texas
R2DS10LR2425YY	Rigid	10" x 3" x 2 Ductile Steel Flat or Crowned w/ Straight Roller Bearing; Red	7,000#	12-1/2"	\$362.00	Ohio, Texas
D2FS10LS7925YY	Swivel	10" x 3" x 2 Forged Steel Flat w/ Tapered Roller Bearing; Silver/Black	7,000#	12-1/2"	\$825.00	Ohio, Texas
R2FS10LS7975YY	Rigid	10" x 3" x 2 Forged Steel Flat w/ Tapered Roller Bearing; Silver/Black	7,000#	12-1/2"	\$795.00	Ohio, Texas
D2PH12LB2425YY	Swivel	12" x 3" x 2 Phenolic w/ Straight Roller Bearing; Black	7,000#	15-1/2"	\$410.00	Ohio, Texas
R2PH12LB2425YY	Rigid	12" x 3" Phenolic w/ Straight Roller Bearings; Black	7,000#	15-1/2"	\$285.00	Ohio, Texas
D2PU12LG2425YY	Swivel	12" x 3" x 2 Polyurethane on Cast Iron w/ Straight Roller Bearing; Green on Black	7,000#	15-1/2"	\$445.00	Ohio, Texas
R2PU12LG2425YY	Rigid	12" x 3" x 2 Polyurethane on Cast Iron w/ Straight Roller Bearing; Green on Black	7,000#	15-1/2"	\$325.00	Ohio, Texas
D2SW12LU2425YY	Swivel	12" x 3" x 2 Polyurethane on Cast Iron Crowned w/ Roller Bearing; Blue on Black	7,000#	15-1/2"	\$475.00	Ohio, Texas
R2SW12LU2425YY	Rigid	12" x 3" x 2 Polyurethane on Cast Iron Crowned w/ Roller Bearing; Blue on Black	7,000#	15-1/2"	\$350.00	Ohio, Texas
D2DS12LR2425YY	Swivel	12" x 3" x 2 Ductile Steel Flat or Crowned w/ Straight Roller Bearing; Red	7,000#	15-1/2"	\$565.00	Ohio, Texas
R2DS12LR2425YY	Rigid	12" x 3" x 2 Ductile Steel Flat or Crowned w/ Straight Roller Bearing; Red	7,000#	15-1/2"	\$475.00	Ohio, Texas
<b>Code 30 Top Plate</b>	<b>6.25"x7.25"</b> Overall Size	<b>D3/R3 DUAL WHEEL KINGPINLESS SERIES Uses 3" wide Dual Wheels</b>	<b>4,000 – 20,000#</b>	<b>See below</b>	<b>See Below</b>	<b>Ohio, Texas</b>
<b>Part#</b>	<b>Swivel / Rigid</b>	<b>Wheel Size (Diameter x Tread Width), Wheel Material, Bearings, Color</b>	<b>Capacity</b>	<b>Overall Height</b>	<b>Price Each</b>	<b>Shipping Locations</b>
D3PH60LB2430YY	Swivel	6" x 3" x 2 Phenolic w/ Straight Roller Bearing; Black	4,000#	8-27/32"	\$455.00	Ohio, Texas
R3PH60LB2430YY	Rigid	6" x 3" Phenolic w/ Straight Roller Bearings; Black	4,000#	8-27/32"	\$365.00	Ohio, Texas
D3PU60LG2430YY	Swivel	6" x 3" x 2 Polyurethane on Cast Iron w/ Straight Roller Bearing; Green on Black	4,000#	8-27/32"	\$465.00	Ohio, Texas
R3PU60LG2430YY	Rigid	6" x 3" x 2 Polyurethane on Cast Iron w/ Straight Roller Bearing; Green on Black	4,000#	8-27/32"	\$375.00	Ohio, Texas
D3SW60LU2430YY	Swivel	6" x 3" x 2 Polyurethane on Cast Iron Crowned w/ Roller Bearing; Blue on Black	4,400#	8-27/32"	\$475.00	Ohio, Texas
R3SW60LU2430YY	Rigid	6" x 3" x 2 Polyurethane on Cast Iron Crowned w/ Roller Bearing; Blue on Black	4,400#	8-27/32"	\$385.00	Ohio, Texas
D3EX60LG6530YY	Swivel	6" x 3" x 2 Ultra-Poly on Cast Iron w/ Precision Ball Bearings; Green on Black	6,000#	8-27/32"	\$567.00	Ohio, Texas
R3EX60LG6530YY	Rigid	6" x 3" x 2 Ultra-Poly on Cast Iron w/ Precision Ball Bearings; Green on Black	6,000#	8-27/32"	\$480.00	Ohio, Texas
D3DS60LR7030YY	Swivel	6" x 3" x 2 Ductile Steel Flat or Crowned w/ Tapered Roller Bearing; Red	20,000#	8-27/32"	\$565.00	Ohio, Texas
R3DS60LR7030YY	Rigid	6" x 3" x 2 Ductile Steel Flat or Crowned w/ Tapered Roller Bearing; Red	20,000#	8-27/32"	\$475.00	Ohio, Texas

D3FS60LS7930YY	Swivel	6" x 3" x 2 Forged Steel Flat w/ Tapered Roller Bearing; Silver/Black	20,000#	8-27/32"	\$865.00	Ohio, Texas
R3FS60LS7930YY	Rigid	6" x 3" x 2 Forged Steel Flat w/ Tapered Roller Bearing; Silver/Black	20,000#	8-27/32"	\$720.00	Ohio, Texas
D3PH80LB2430YY	Swivel	8" x 3" x 2 Phenolic w/ Straight Roller Bearing; Black	5,000#	10-7/8"	\$515.00	Ohio, Texas
R3PH80LB2430YY	Rigid	8" x 3" Phenolic w/ Straight Roller Bearings; Black	5,000#	10-7/8"	\$395.00	Ohio, Texas
D3PU80LG2430YY	Swivel	8" x 3" x 2 Polyurethane on Cast Iron w/ Straight Roller Bearing; Green on Black	5,000#	10-7/8"	\$525.00	Ohio, Texas
R3PU80LG2430YY	Rigid	8" x 3" x 2 Polyurethane on Cast Iron w/ Straight Roller Bearing; Green on Black	5,000#	10-7/8"	\$410.00	Ohio, Texas
D3SW80LU2430YY	Swivel	8" x 3" x 2 Polyurethane on Cast Iron Crowned w/ Roller Bearing; Blue on Black	5,400#	10-7/8"	\$540.00	Ohio, Texas
R3SW80LU2430YY	Rigid	8" x 3" x 2 Polyurethane on Cast Iron Crowned w/ Roller Bearing; Blue on Black	5,400#	10-7/8"	\$420.00	Ohio, Texas
D3EX80LG6530YY	Swivel	8" x 3" x 2 Ultra-Poly on Cast Iron w/ Precision Ball Bearings; Green on Black	7,000#	10-7/8"	\$700.00	Ohio, Texas
R3EX80LG6530YY	Rigid	8" x 3" x 2 Ultra-Poly on Cast Iron w/ Precision Ball Bearings; Green on Black	7,000#	10-7/8"	\$590.00	Ohio, Texas
D3DS80LR7030YY	Swivel	8" x 3" x 2 Ductile Steel Flat or Crowned w/ Tapered Roller Bearing; Red	20,000#	10-7/8"	\$655.00	Ohio, Texas
R3DS80LR7030YY	Rigid	8" x 3" x 2 Ductile Steel Flat or Crowned w/ Tapered Roller Bearing; Red	20,000#	10-7/8"	\$540.00	Ohio, Texas
D3FS80LS7930YY	Swivel	8" x 3" x 2 Forged Steel Flat w/ Tapered Roller Bearing; Silver/Black	20,000#	10-7/8"	\$955.00	Ohio, Texas
R3FS80LS7930YY	Rigid	8" x 3" x 2 Forged Steel Flat w/ Tapered Roller Bearing; Silver/Black	20,000#	10-7/8"	\$840.00	Ohio, Texas
D3PH10LB2430YY	Swivel	10" x 3" x 2 Phenolic w/ Straight Roller Bearing; Black	5,800#	12-13/16"	\$565.00	Ohio, Texas
R3PH10LB2430YY	Rigid	10" x 3" Phenolic w/ Straight Roller Bearings; Black	5,800#	12-13/16"	\$425.00	Ohio, Texas
D3PU10LG2430YY	Swivel	10" x 3" x 2 Polyurethane on Cast Iron w/ Straight Roller Bearing; Green on Black	6,000#	12-13/16"	\$575.00	Ohio, Texas
R3PU10LG2430YY	Rigid	10" x 3" x 2 Polyurethane on Cast Iron w/ Straight Roller Bearing; Green on Black	6,000#	12-13/16"	\$435.00	Ohio, Texas
D3SW10LU2430YY	Swivel	10" x 3" x 2 Polyurethane on Cast Iron Crowned w/ Roller Bearing; Blue on Black	6,000#	12-13/16"	\$585.00	Ohio, Texas
R3SW10LU2430YY	Rigid	10" x 3" x 2 Polyurethane on Cast Iron Crowned w/ Roller Bearing; Blue on Black	6,000#	12-13/16"	\$445.00	Ohio, Texas
D3EX10LG6530YY	Swivel	10" x 3" x 2 Ultra-Poly on Cast Iron w/ Precision Ball Bearings; Green on Black	8,000#	12-13/16"	\$825.00	Ohio, Texas
R3EX10LG6530YY	Rigid	10" x 3" x 2 Ultra-Poly on Cast Iron w/ Precision Ball Bearings; Green on Black	8,000#	12-13/16"	\$675.00	Ohio, Texas
D3DS10LR7030YY	Swivel	10" x 3" x 2 Ductile Steel Flat or Crowned w/ Tapered Roller Bearing; Red	20,000#	12-13/16"	\$750.00	Ohio, Texas
R3DS10LR7030YY	Rigid	10" x 3" x 2 Ductile Steel Flat or Crowned w/ Tapered Roller Bearing; Red	20,000#	12-13/16"	\$605.00	Ohio, Texas
D3FS10LS7930YY	Swivel	10" x 3" x 2 Forged Steel Flat w/ Tapered Roller Bearing; Silver/Black	20,000#	12-13/16"	\$1,250.00	Ohio, Texas
R3FS10LS7930YY	Rigid	10" x 3" x 2 Forged Steel Flat w/ Tapered Roller Bearing; Silver/Black	20,000#	12-13/16"	\$1,105.00	Ohio, Texas
D3PH12LB2425YY	Swivel	12" x 3" x 2 Phenolic w/ Straight Roller Bearing; Black	7,000#	15-1/2"	\$620.00	Ohio, Texas
R3PH12LB2425YY	Rigid	12" x 3" Phenolic w/ Straight Roller Bearings; Black	7,000#	15-1/2"	\$460.00	Ohio, Texas

D3EX12LG6530YY	Swivel	12" x 3" x 2 Ultra-Poly on Cast Iron w/ Precision Ball Bearings; Green on Black	10,000#	15-1/2"	\$920.00	Ohio, Texas
R3EX12LG6530YY	Rigid	12" x 3" x 2 Ultra-Poly on Cast Iron w/ Precision Ball Bearings; Green on Black	10,000#	15-1/2"	\$760.00	Ohio, Texas
D3SW12LU2425YY	Swivel	12" x 3" x 2 Polyurethane on Cast Iron Crowned w/ Roller Bearing; Blue on Black	7,000#	15-1/2"	\$680.00	Ohio, Texas
R3SW12LU2425YY	Rigid	12" x 3" x 2 Polyurethane on Cast Iron Crowned w/ Roller Bearing; Blue on Black	7,000#	15-1/2"	\$530.00	Ohio, Texas
D3DS12LR7030YY	Swivel	12" x 3" x 2 Ductile Steel Flat or Crowned w/ Tapered Roller Bearing; Red	20,000#	15-1/2"	\$820.00	Ohio, Texas
R3DS12LR7030YY	Rigid	12" x 3" x 2 Ductile Steel Flat or Crowned w/ Tapered Roller Bearing; Red	20,000#	15-1/2"	\$660.00	Ohio, Texas
<b>Code 45 Top Plate</b>	<b>8.5"x8.5" Overall Size</b>	<b>D4/R4 DUAL WHEEL KINGPINLESS SERIES Uses 4" wide Dual Wheels</b>	<b>11,000-40,000#</b>	<b>See below</b>	<b>See Below</b>	<b>Ohio, Texas</b>
<b>Part#</b>	<b>Swivel / Rigid</b>	<b>Wheel Size (Diameter x Tread Width), Wheel Material, Bearings, Color</b>	<b>Capacity</b>	<b>Overall Height</b>	<b>Price Each</b>	<b>Shipping Locations</b>
D4EX80NG7445YY	Swivel	8" x 4" x 2 Ultra-Poly on Cast Iron w/ Precision Ball Bearings; Green on Black	8,000#	11"	\$1,100.00	Ohio, Texas
R4EX80NG7445YY	Rigid	8" x 4" x 2 Ultra-Poly on Cast Iron w/ Precision Ball Bearings; Green on Black	8,000#	11"	\$675.00	Ohio, Texas
D4DS80NR7445YY	Swivel	8" x 4" x 2 Ductile Steel Flat w/ Tapered Roller Bearing; Red	34,000#	11"	\$1,010.00	Ohio, Texas
R4DS80NR7445YY	Rigid	8" x 4" x 2 Ductile Steel Flat w/ Tapered Roller Bearing; Red	34,000#	11"	\$600.00	Ohio, Texas
D4FS80NS7445YY	Swivel	8" x 4" x 2 Forged Steel Flat w/ Tapered Roller Bearing; Silver/Black	36,000#	11"	\$1,500.00	Ohio, Texas
R4FS80NS7445YY	Rigid	8" x 4" x 2 Forged Steel Flat w/ Tapered Roller Bearing; Silver/Black	36,000#	11"	\$1,175.00	Ohio, Texas
D4EX10NG7445YY	Swivel	10" x 4" x 2 Ultra-Poly on Cast Iron w/ Precision Ball Bearings; Green on Black	11,000#	13"	\$1,300.00	Ohio, Texas
R4EX10NG7445YY	Rigid	10" x 4" x 2 Ultra-Poly on Cast Iron w/ Precision Ball Bearings; Green on Black	11,000#	13"	\$825.00	Ohio, Texas
D4DS10NR7445YY	Swivel	10" x 4" x 2 Ductile Steel Flat w/ Tapered Roller Bearing; Red	34,000#	13"	\$1,260.00	Ohio, Texas
R4DS10NR7445YY	Rigid	10" x 4" x 2 Ductile Steel Flat w/ Tapered Roller Bearing; Red	34,000#	13"	\$800.00	Ohio, Texas
D4FS10NS7445YY	Swivel	10" x 4" x 2 Forged Steel Flat w/ Tapered Roller Bearing; Silver/Black	40,000#	13"	\$1,650.00	Ohio, Texas
R4FS10NS7445YY	Rigid	10" x 4" x 2 Forged Steel Flat w/ Tapered Roller Bearing; Silver/Black	40,000#	13"	\$1,200.00	Ohio, Texas
D4EX12NG7445YY	Swivel	12" x 4" x 2 Ultra-Poly on Cast Iron w/ Precision Ball Bearings; Green on Black	13,000#	15.5"	\$1,480.00	Ohio, Texas
R4EX12NG7445YY	Rigid	12" x 4" x 2 Ultra-Poly on Cast Iron w/ Precision Ball Bearings; Green on Black	13,000#	15.5"	\$950.00	Ohio, Texas
D4DS12NR7445YY	Swivel	12" x 4" x 2 Ductile Steel Flat w/ Tapered Roller Bearing; Red	34,000#	15.5"	\$1,550.00	Ohio, Texas
R4DS12NR7445YY	Rigid	12" x 4" x 2 Ductile Steel Flat w/ Tapered Roller Bearing; Red	34,000#	15.5"	\$1,020.00	Ohio, Texas
D4FS12NS7445YY	Swivel	12" x 4" x 2 Forged Steel Flat w/ Tapered Roller Bearing; Silver/Black	40,000#	15.5"	\$1,700.00	Ohio, Texas
R4FS12NS7445YY	Rigid	12" x 4" x 2 Forged Steel Flat w/ Tapered Roller Bearing; Silver/Black	40,000#	15.5"	\$1,300.00	Ohio, Texas

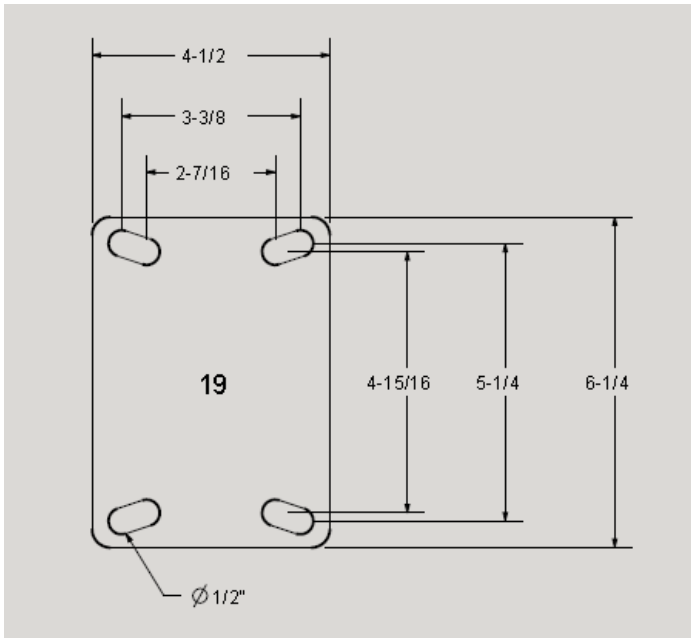
## TOP PLATE SIZES FOR EXTREME DUAL WHEEL CASTERS.

D1/R1 Series 19 Top Plate

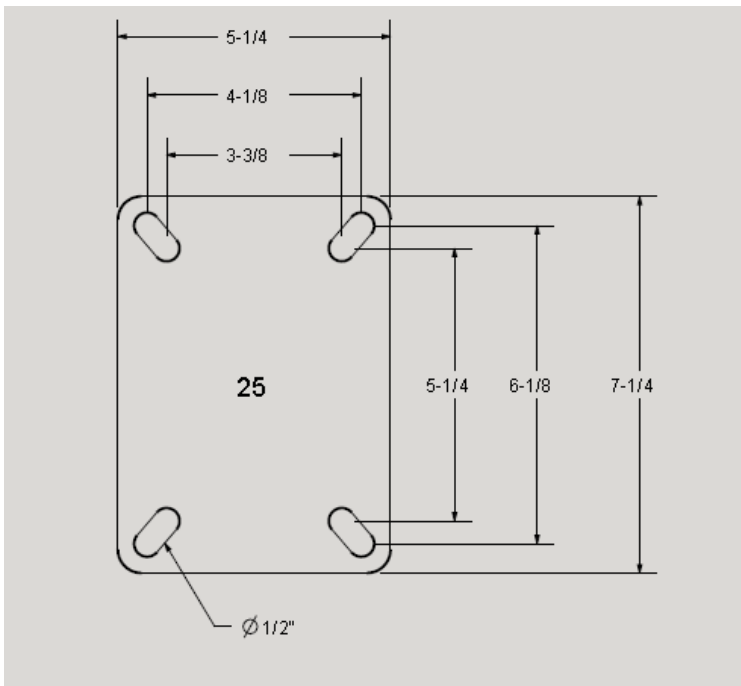
D2/R2 Series 25 Top Plate

D3/R3 Series 30 Top Plate

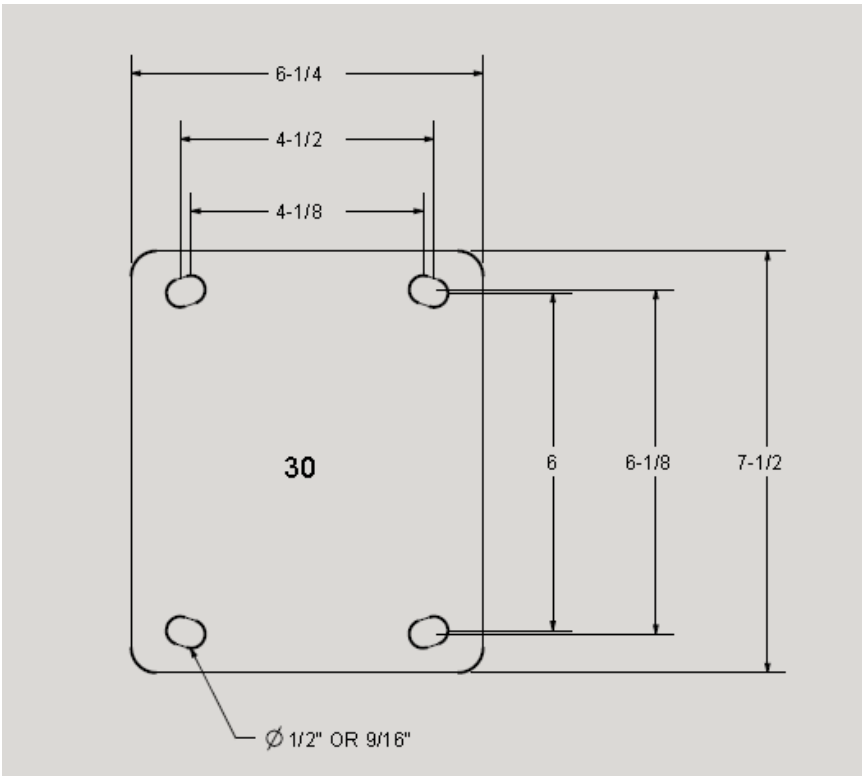
D4/R4 Series 45 Top Plate



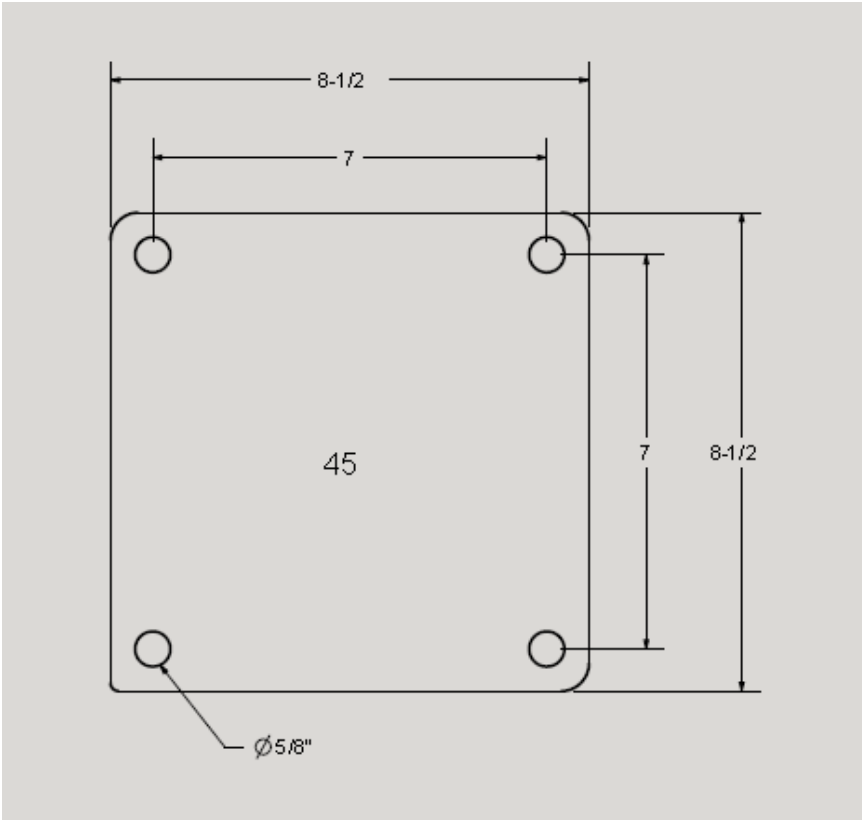
D1 / R1 SERIES 19 TOP PLATE



D2 / R2 SERIES 25 TOP PLATE



D3 / R3 SERIES TOP PLATE 30



D4 / R4 SERIES TOP PLATE 45





Dual Wheel Swivel w/ Ergolastomer wheels



Dual Wheel Swivel w/ Ductile Steel Wheels



Dual Wheel Swivel Poly on Cast Iron



Dual Wheel Rigid w/ Phenolic wheels



Face Contact Brake Installed

Tapered Roller Bearing



Heavy duty tapered roller bearings